



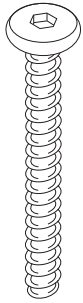
Chomp & Clack Alligator Push Toy

ASSEMBLY INSTRUCTIONS

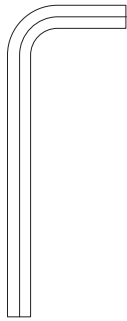
THANK YOU for choosing the Melissa & Doug Chomp & Clack Alligator Push Toy!

NOW IT'S TIME TO PUT IT TOGETHER! Don't worry, assembling your new push toy is simple, and we're here to help. If you have any questions, give our customer service team a call at 1-800-284-3948!

Metal Components



1 hex head bolt (2)

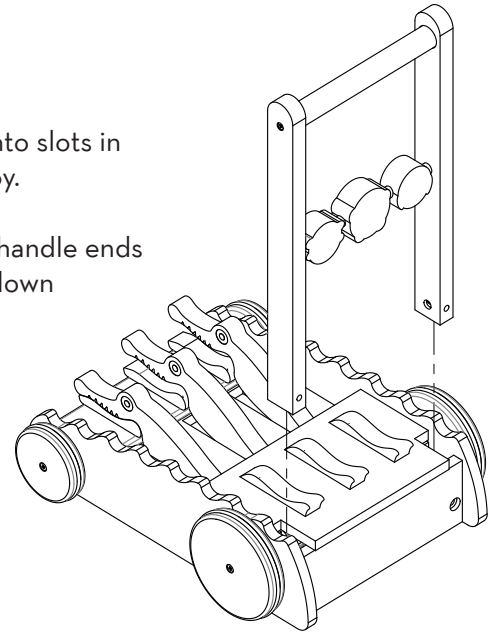


2 Allen wrench

STEP 1

Insert handle into slots in back of push toy.

Make sure the handle ends go all the way down into the slots.

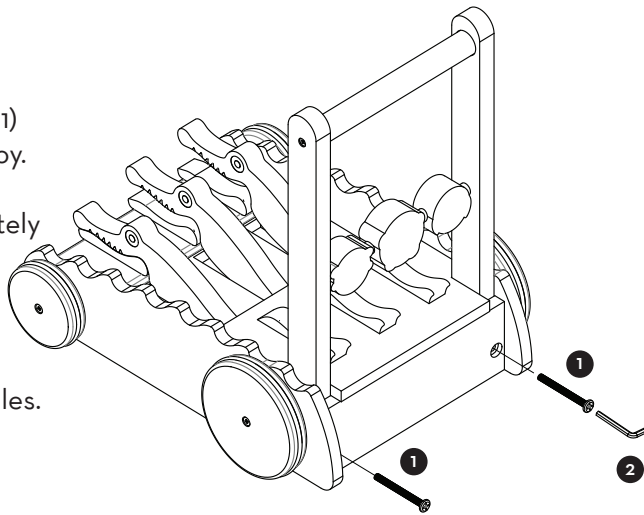


STEP 2

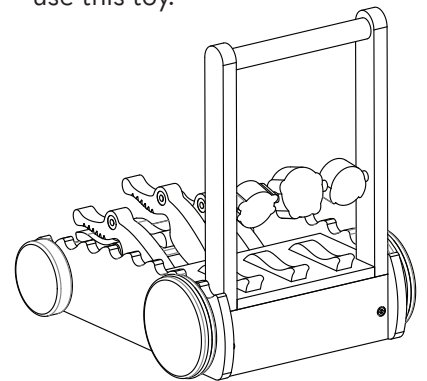
Insert 2 hex head bolts (part 1) into the hole in the back of toy.

Tighten bolts (part 1) completely with the Allen wrench (part 2) provided.

Bolt heads should go all the way into the recessed holes.

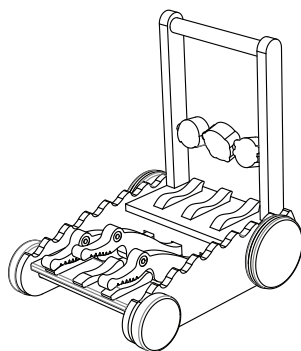


NOTE: Make sure the handle is attached securely to the push toy before allowing children to use this toy.



YOU DID IT!

You have completed assembly of the push toy.



Item #3011

Ages 1+

We care about your comments. Please call us!

Melissa & Doug
1-800-284-3948

www.MelissaAndDoug.com

Melissa & Doug products meet or exceed U.S. testing standards and pass our high quality requirements.

© Melissa & Doug, LLC, P.O. Box 590, Westport, CT 06881

MADE IN CHINA